



# GHV hydrovar X

THE ULTIMATE INTEGRATED MOTOR & DRIVE SOLUTION IN PERFORMANCE, ENERGY EFFICIENCY, CONNECTIVITY AND SIMPLICITY



The Lowara GHV series booster sets are fully automatic booster sets for water supply, water pressure increase and water transfer in apartment blocks, office buildings, hotels, public buildings, industries and other applications.

The GHV series is equipped with 1 to 8 vertical multistage e-SV pumps, each fitted with a Hydrovar variable frequency drive independently controlled for the maximum reliability. Thanks to its unique compact design version, the GHV series makes installation possible even in tight spaces. The GHV series is easy to program, designed for maximum energy efficiency and can communicate with a BMS system via Modbus or BACnet.

## Specifications

Flow rate: up to 1280 m<sup>3</sup>/h

Head: up to 160 m

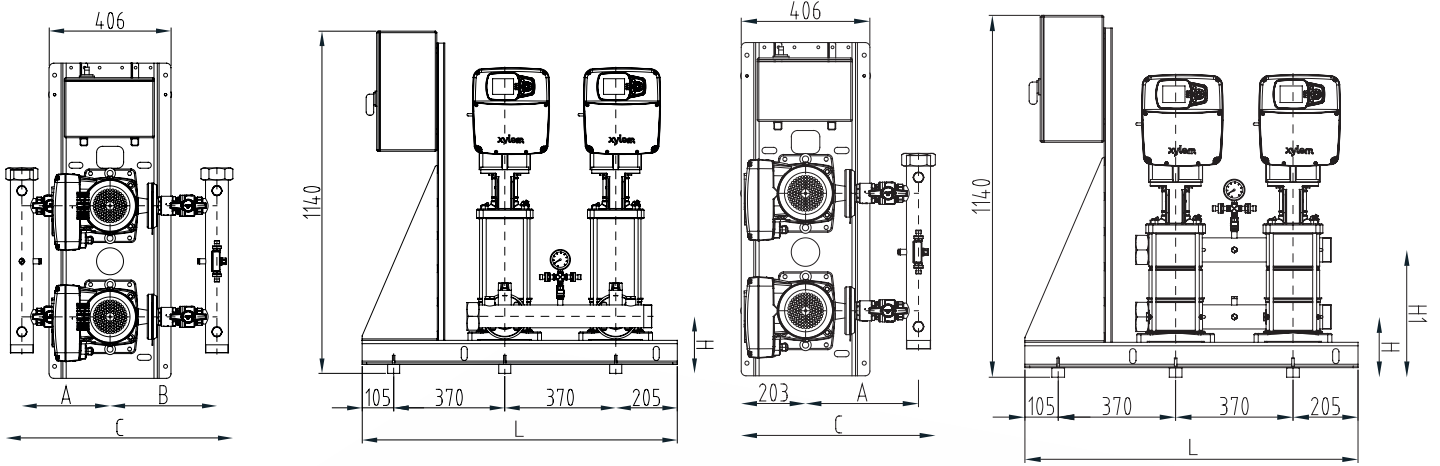
Temp of pumped liquid: up to +65°C

WRAS Approved

The hydraulic performances meet the tolerances specified in ISO 2012



# Dimensions (Shown in mm) Twin sets shown in Diagram



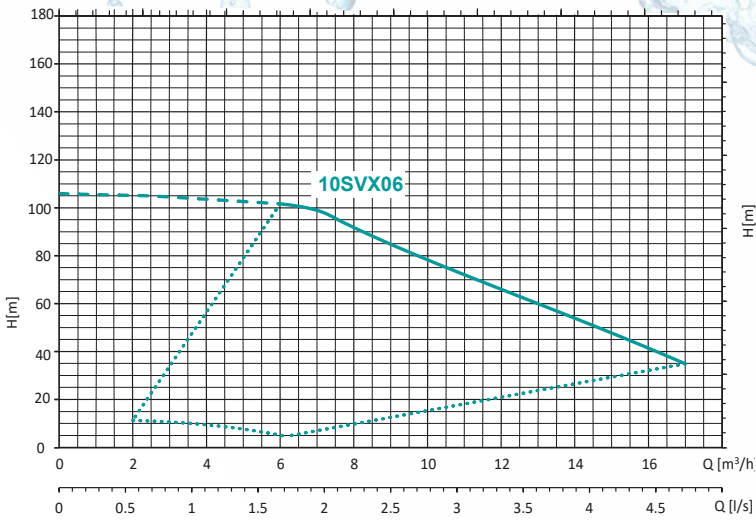
UKLIT0263, UK GHV HVX FLVER

All models shown below are stocked in the UK

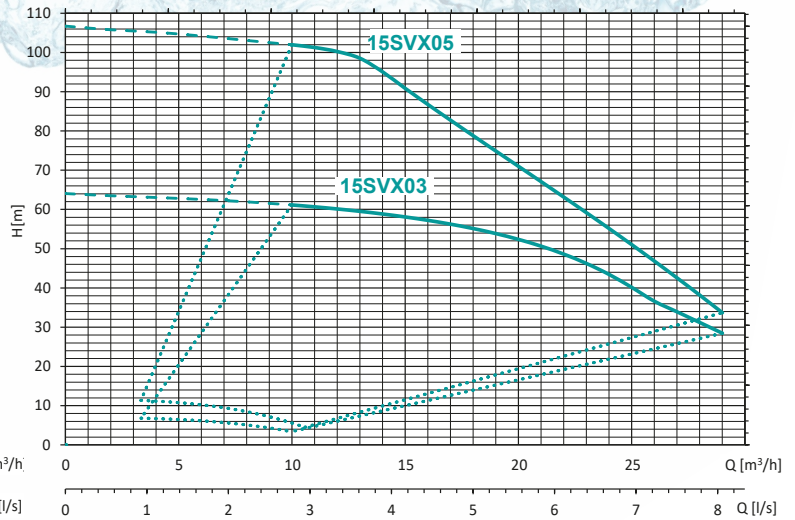
Model Ref	Part Number	Number of Pumps	Motor Size (kW)	Dimensions (mm)					
				A	B	C	H	H1	L
GHV20/10SVX06R030/4	1008030506	2	3	356	N/A	612	190	401	1050
GHV30/10SVX06R030/4	1008031724	3	3	363	N/A	629	190	401	1420
GHV20/10SVX06F030/4	1008030504	2	3	294	356	757	190	N/A	1050
GHV30/10SVX06F030/4	1008031722	3	3	301	363	789	190	N/A	1420
GHV20/15SVX03Z2R040/4	1008900201	2	4	418	N/A	621	200	459	1050
GHV20/15SVX05R055/4	1008030551	2	5.5	418	N/A	621	200	459	1050
GHV30/15SVX03Z2R040/4	1008900204	3	4	430	N/A	743	200	459	1420
GHV30/15SVX05R055/4	1008031769	2	5.5	430	N/A	743	200	459	1420

## Performance Curve Single pump curve shown only

10SVX06



15SVX03 / 15SVX05



**Xylem Water Solutions UK Ltd.**  
 Millwey Rise Industrial Estate  
 Axminster, Devon EX13 5HU  
 Tel 01297 630 230  
 Email lowaraukenquiries@xylem.com

**Xylem Water Solutions Ireland Ltd.**  
 50 Broomhill Close, Airtown Road,  
 Tallaght, Dublin 24 D24 APP8  
 Tel (+353) 01 4524 444  
 Email flygtlRL@xylem.com

