

Features:

- energy-efficient, explosion-proof sewage pump made of cast iron for portable and stationary (coupling system) purposes
- robust, adjustable cutting system made of corrosion-resistant special alloy
- motor housing, pump housing, seal carrier and impeller made of cast iron
- double bidirectional mechanical seals with intermediate oil chamber
- horizontal pressure outlet with flange DN 50
- lateral cable gland with strain relief and kink protection
- protection grade IP 68 – fully submersible

Application:

- pumping of sewage from collection sumps
- pressure drainage
- installation in polyethylene or concrete manholes
- as grinder pump on sewage lifting units

Scope of delivery:

- pump with 10 m power cable
- all pumps without stand feet and outlet bend
- optional coupling system (see accessories)



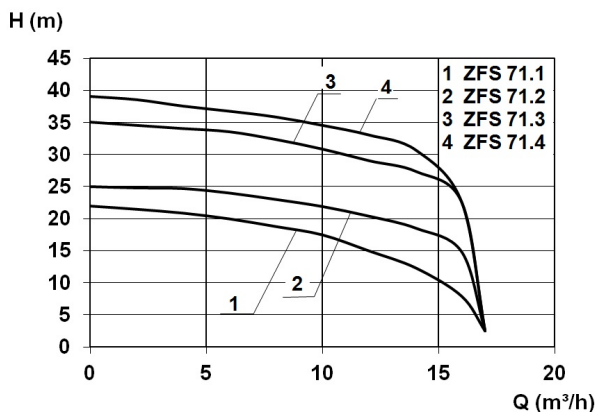
Product benefits:

- high performance cutting system (adjustable cutting gap; pre-adjusted to ≤ 0.05 mm)
- easily cuts textiles
- explosion-proof version
- double mechanical seal protects motor from incoming water
- available as complete system incl. FPS pumping station or as guide rail system with coupling for existing manholes

Technical data:

Art.no.	U [V]	P ₁ [W]	P ₂ [W]	I _n [A]	n [min ⁻¹]	Q _{max} [m ³ /h]	H _{max} [m]	P0	Weight [kg]
17382	3~400	2.100	1.700	3,7	2800	17,0	22,0	DN 50	46

Characteristics:

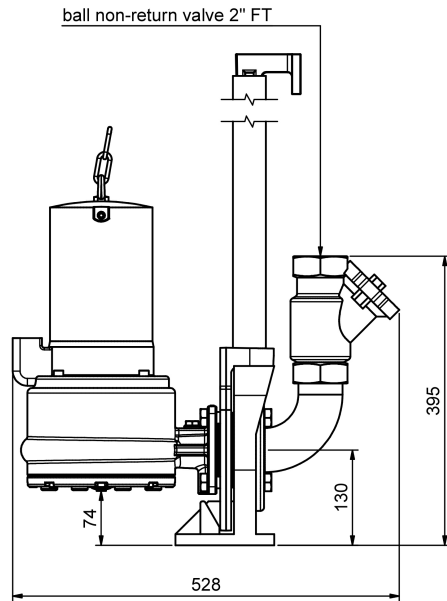


Materials:

Material impeller:	PA6 GV25
Seal motor:	mechanical seal SIC/SIC/NBR
Seal pump:	mechanical seal SIC/SIC/NBR
Material motor housing:	cast-iron GG25
Material pump housing:	cast-iron GG25
Material motor shaft:	stainless steel AISI 420

Dimensions:

portable application



fixed application

